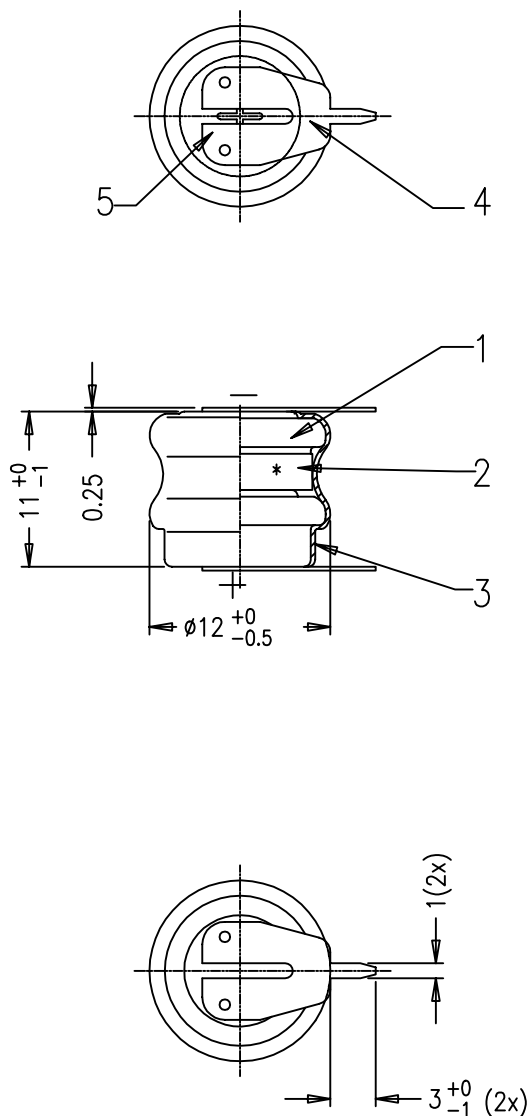


For reference only



No.	Alterations:	Date:	Name:	Dimensions in mm	Material:
				Tolerance: DIN 7168 Medium	Refer to part list no: 071219
				Projection:	
				Scale: 2 : 1	Description: 2/V40H battery with shrink sleeve & solder tags
				Date: Name:	
				Prepared: 1998-03-17 Titus WS	
				Approved: 2000-	

RIGHTS RESERVED TO MAKE TECHNICAL CHANGES, AS A RESULT OF FURTHER DEVELOPMENT, WITHOUT NOTICE. THIS DRAWING IS THE PROPERTY OF VARTA BATTERIES PTE LTD AND MUST NOT BE COPIED OR DISCLOSED TO A THIRD PARTY WITHOUT THE WRITTEN CONSENT OF VARTA BATTERIES PTE LTD.



Dwg. No:	071219	4	0	0
VKB Order No:	55604 302 012			
Orig No:				