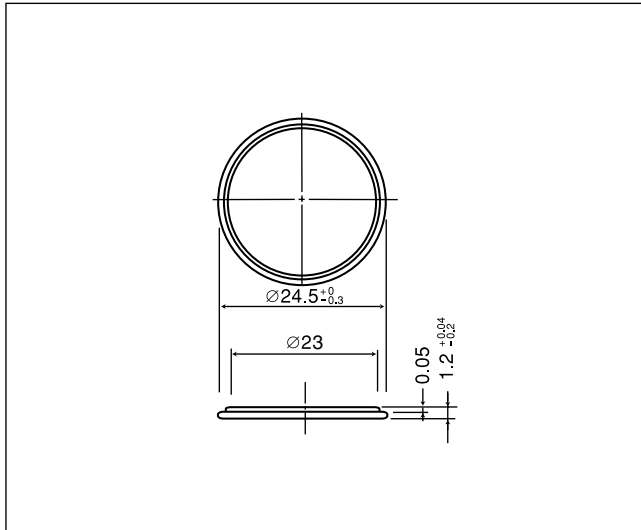


CR2412

■ Dimensions(mm)

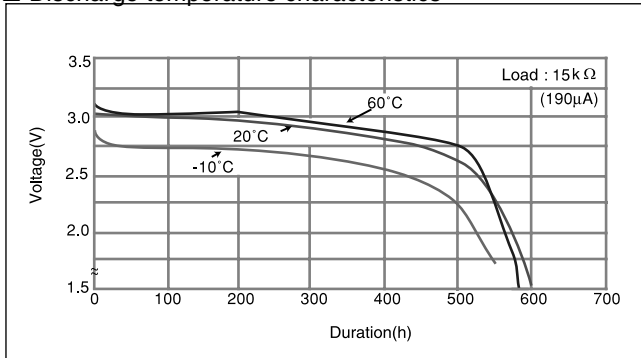


■ Specification

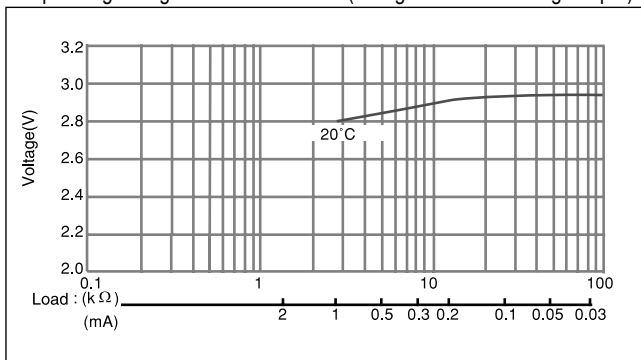
Nominal voltage(V)	3
Nominal capacity(mAh)	100
Continuous drain(mA)	0.2
Operating temperature(°C)	-30 to +85

*Please consult Panasonic when anticipating usage in operating temperature of 70°C or above.

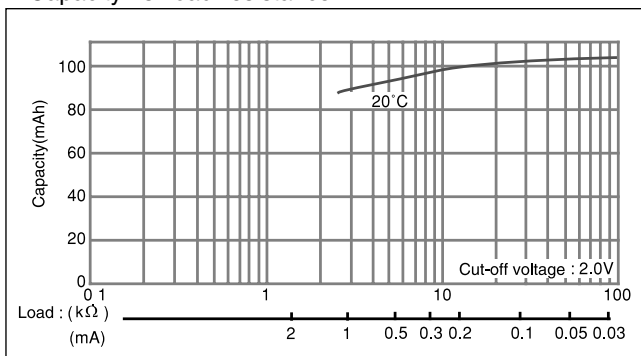
■ Discharge temperature characteristics



■ Operating voltage vs. load resistance(voltage at 50% discharge depth)

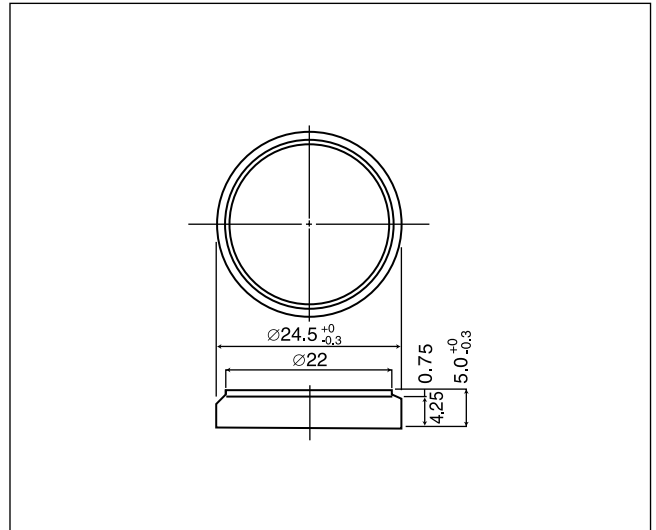


■ Capacity vs. load resistance



CR2450

■ Dimensions(mm)

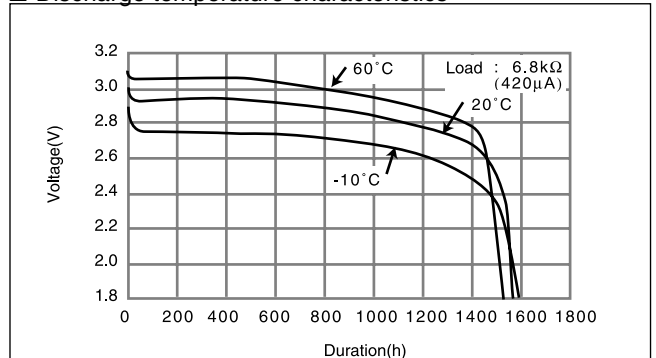


■ Specification

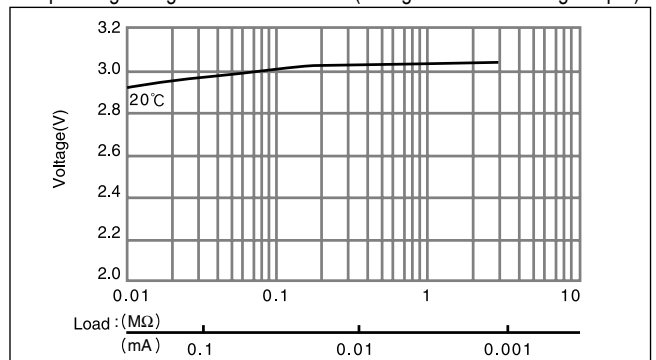
Nominal voltage(V)	3
Nominal capacity(mAh)	620
Continuous drain(mA)	0.2
Operating temperature(°C)	-30 to +85

*Please consult Panasonic when anticipating usage in operating temperature of 70°C or above.

■ Discharge temperature characteristics



■ Operating voltage vs. load resistance(voltage at 50% discharge depth)



■ Capacity vs. load resistance

