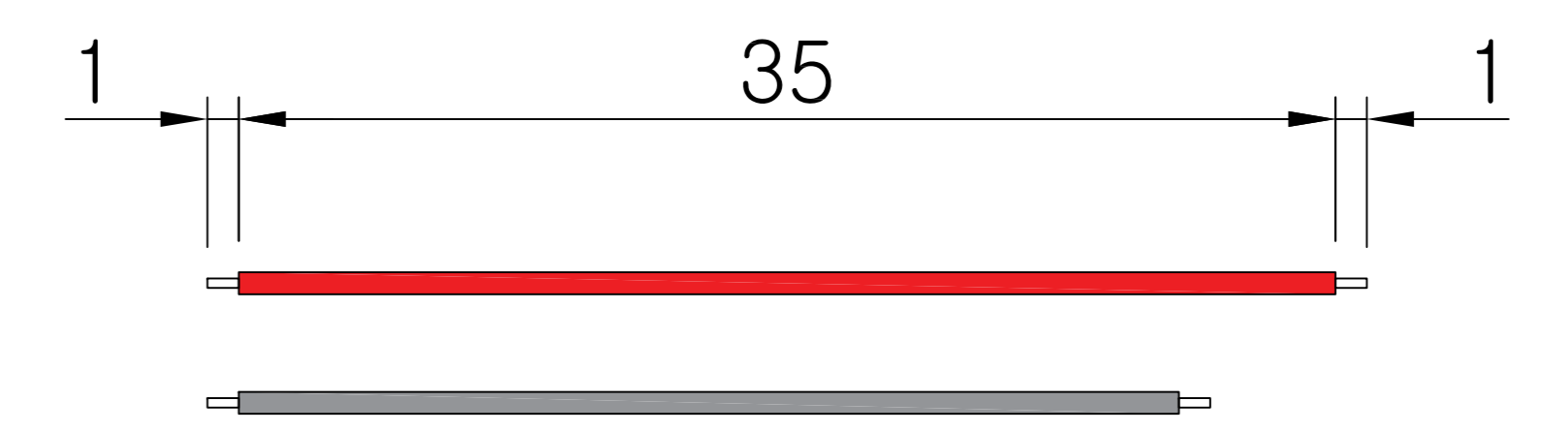
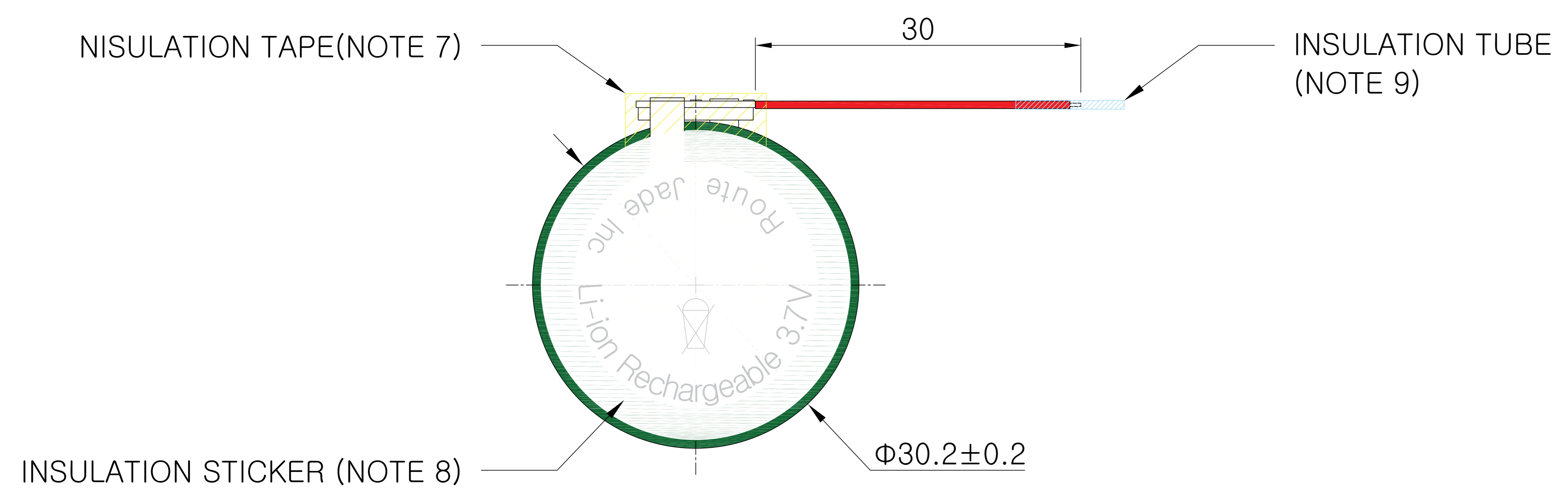




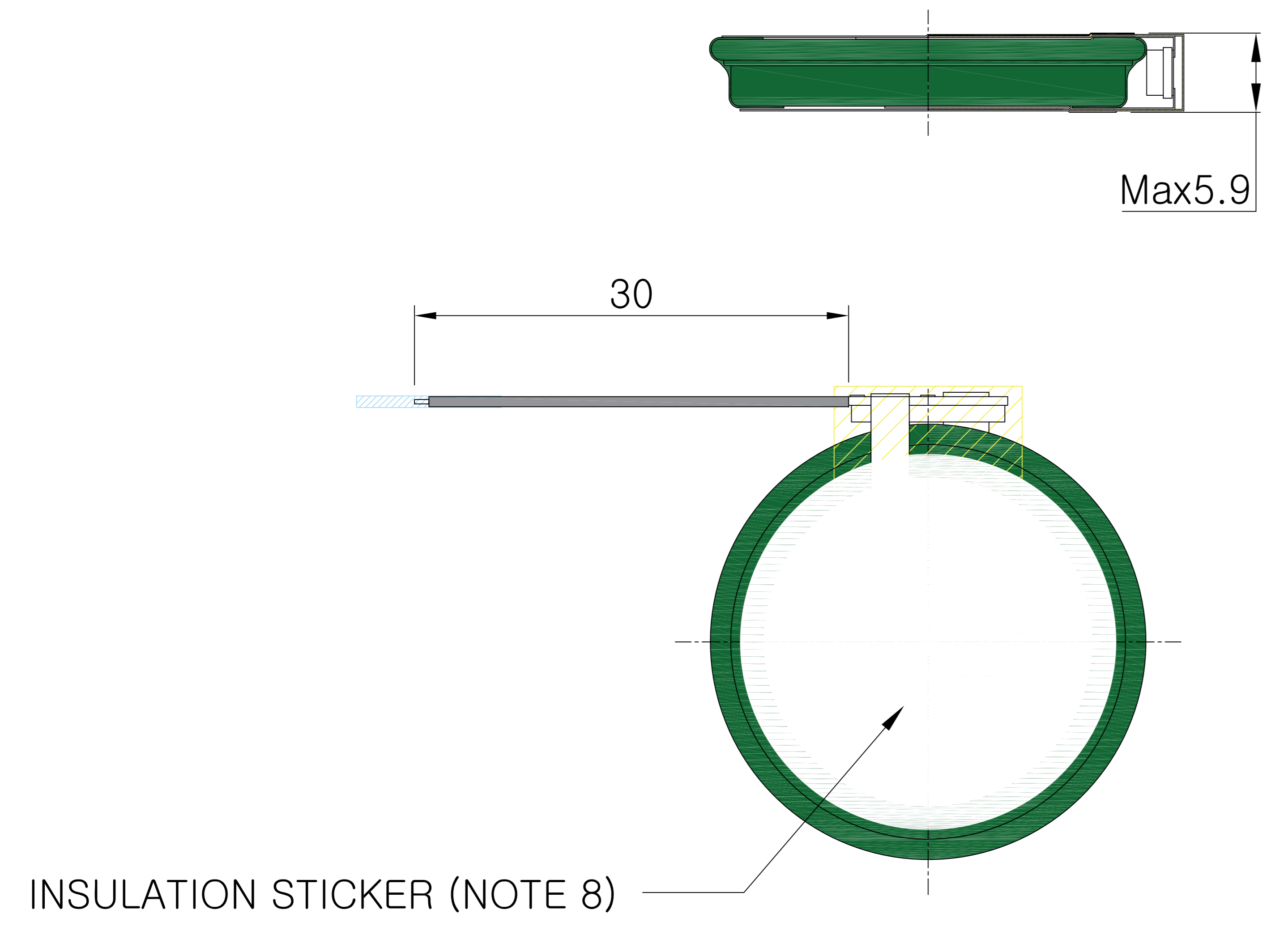
NO		DATE	SIGN	ZONE	REVISIONS	
1		17.11.08	Cha Y.H	-	RELEASED	

1. Battery pack

3. Wire



PIN	CONNECTION	WIRE COLOR	WIRE LENGTH	NOTE
1	+	RED	37.0±1	AWG28
2	-	BLACK	32.0±1	AWG28



Note. UNLESS OTHER SPECIFIED

- BATTERY CELL : Routejade PD3048
- WIRE : AWG28
- PCM : RJD 201
- POS(+) TO BE RED AND NEG(-) TO BE BLACK
- SHIRINKAGE TUBE
 - COLOR : DEEP GREEN
 - THICKNESS : 0.1t
 - MATERIAL : PVC OR PET
- TAB MATERIAL IS NI PLATE
- INSULATION TAPE
 - MATERIAL IS POLYIMIDE
- INSULATION STICKER
 - MATERIAL IS POLYPROPYLENE(0.1t)
 - POSITIVE : $\phi 28$
 - NEGATIVE : $\phi 26$
- INSULATION TUBE(TEFLON OR SILICON)

1					
No					
Projection:		Customer / Project name:	MASTER / PD3048 HP2W28-30		
Dimensions in mm		Description:	PD3048 HP2W28-30		
Tolerance: ±0.5		Prepared & Checked	Verified & Approved	Dwg.No: PD3048 HP2W28-30	
Scale: 1/1		2017 11/08 Yongho_Cha	2017 11/08 YH Jung	RJD Order No:	
This drawing is the property of routejade and must not be copied or disclosed to a third party without the written consent of routejade.					

